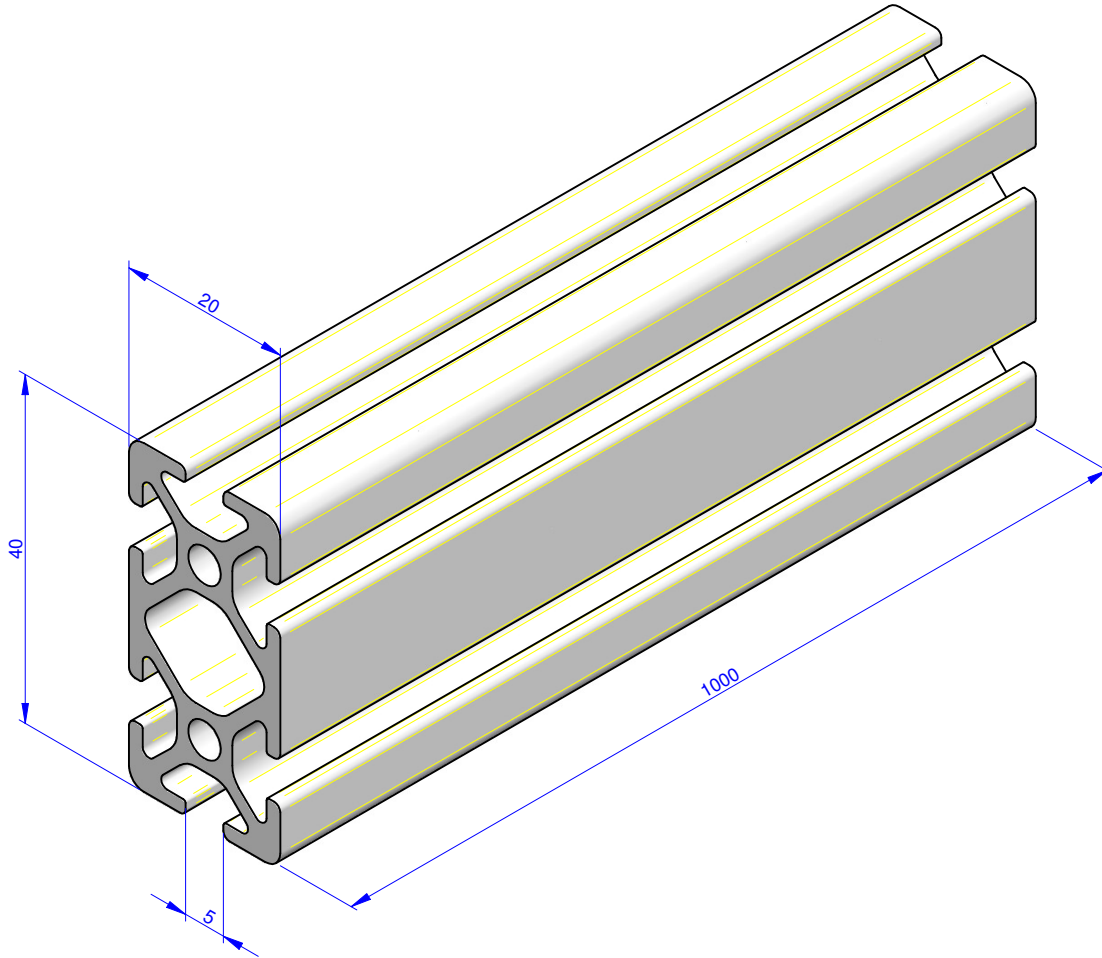


THE PROPERTY OF THIS DRAWING IS ESTABLISHED BY LAW
IT IS FORBIDDEN TO REPRODUCE IT OR SHOW IT TO THIRD PARTY
WITHOUT A WRITTEN AGREEMENT.

MODIFICATIONS:	VARIED DIMENSIONS AS OF DATE:		
(7)	_____	(10)	_____
(8)	_____	(11)	_____
(9)	_____	(12)	_____

MODIFICATIONS:	VARIED DIMENSIONS AS OF DATE:		
(1)	_____	(4)	_____
(2)	_____	(5)	_____
(3)	_____	(6)	_____

Format **A3**
UNI 936-76



FP Services			
DESIGNED FROM FPSERVICES		DATE 04/2018	WEIGHT Errore: Nessun riferimento
GENERAL TOLERANCE: UNI - ISO 2768 CLASSE f	DESCRIPTION	CODE CA.02.01.002	